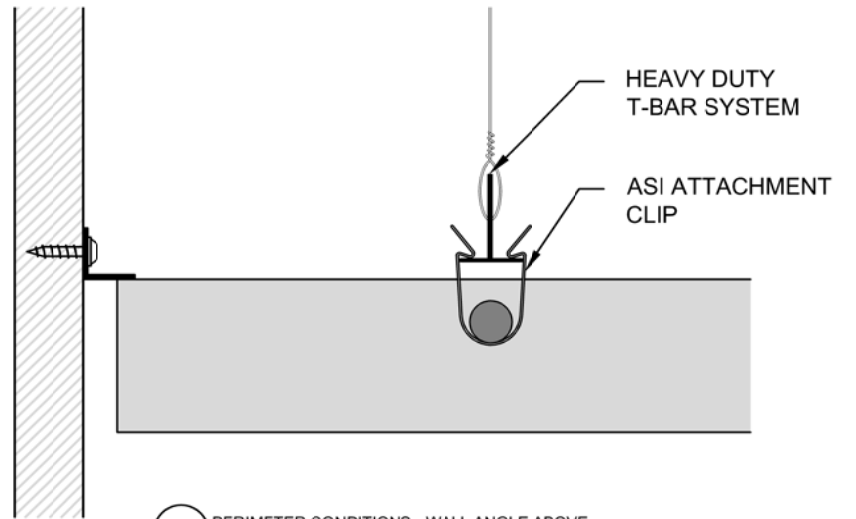
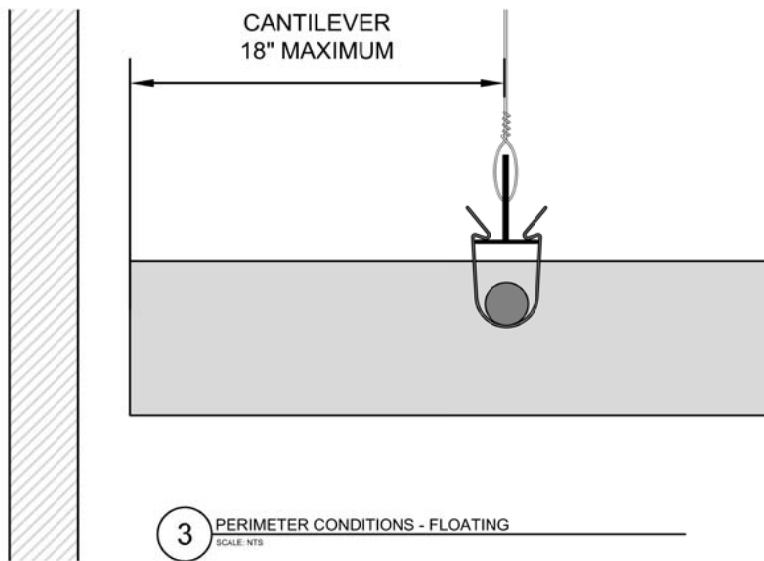


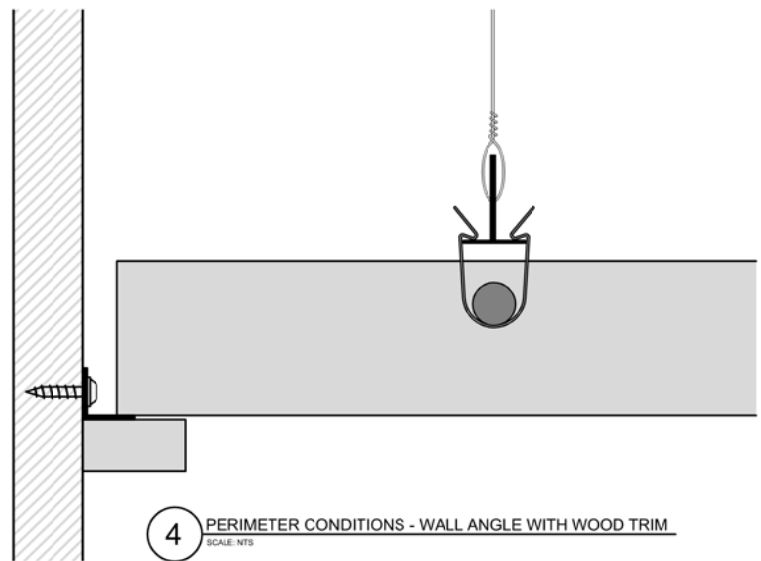
1 PERIMETER CONDITIONS - FLOATING WITH VERTICAL RETURN
SCALE: NTS



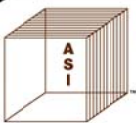
2 PERIMETER CONDITIONS - WALL ANGLE ABOVE
SCALE: NTS



3 PERIMETER CONDITIONS - FLOATING
SCALE: NTS



4 PERIMETER CONDITIONS - WALL ANGLE WITH WOOD TRIM
SCALE: NTS



Architectural Surfaces, Inc.
DISTINCTIVE WOOD & SPECIALTY ACOUSTICAL CEILING & WALL SYSTEMS

123 Columbia Court North, Suite 201
Chaska, MN 55318

P. (952) 443.5300 F. (952) 448.2613 T. 1(800) 710.8791

www.architecturalsurfaces.net
info@architecturalsurfaces.net

Ceilings you can look up to!

DRAWING NUMBER:

3 of 8

SCALE:

NTS

PRODUCT NAME:

WOODGRILLE III

MATERIAL:

SPECIFIED UPON REQUEST

DRAWN BY:

BLW

SHEET DETAILS:

PERIMETER CONDITIONS