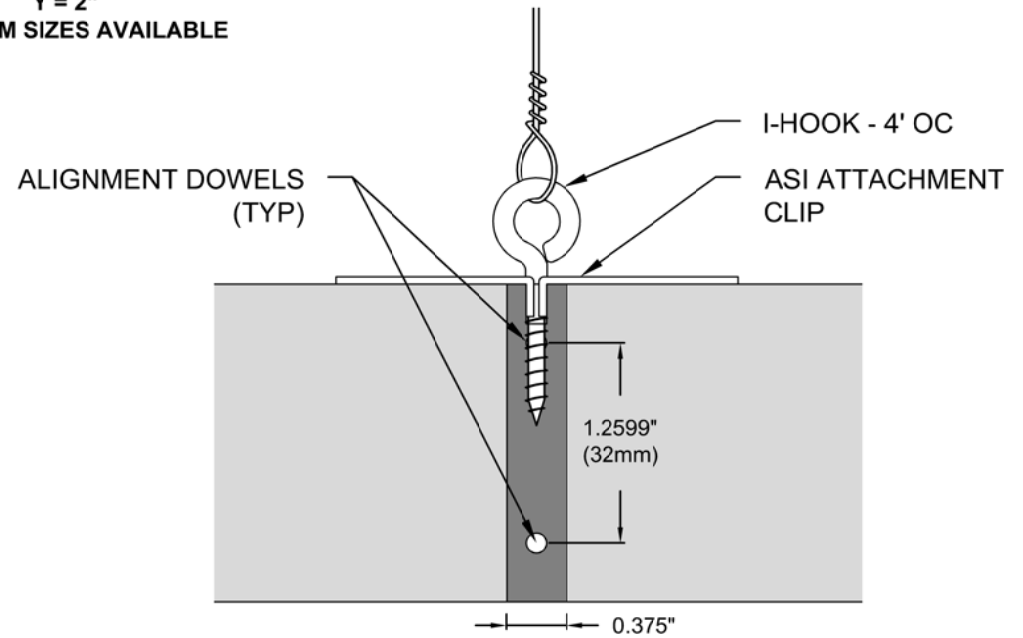


**1** SECTION DETAIL  
SCALE: NTS

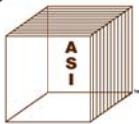
X-DIMENSION OPTIONS: 3", 4" + 6" STANDARD  
 $X = \underline{\quad}$ "  
 Y-DIMENSION OPTIONS: 2" STANDARD  
 $Y = 2"$   
 \* CUSTOM SIZES AVAILABLE



**2** ASI ATTACHMENT CLIP  
SCALE: NTS



**3** ATTACHMENT DETAIL  
SCALE: NTS



**Architectural Surfaces, Inc.**  
 DISTINCTIVE WOOD & SPECIALTY ACOUSTICAL CEILING & WALL SYSTEMS

123 Columbia Court North, Suite 201  
 Chaska, MN 55318

P. (952) 448.5300 F. (952) 448.2613 T. 1(800) 710.8791

www.architecturalsurfaces.net  
 info@architecturalsurfaces.net

*Ceilings you can look up to!*

DRAWING NUMBER:

1 of 5

MATERIAL:

SPECIFIED UPON REQUEST

SCALE:

NTS

DRAWN BY:

BLW

PRODUCT NAME:

WOODCUBE II - MONOLITHIC

SHEET DETAILS:

SECTION DETAILS + ATTACHMENT