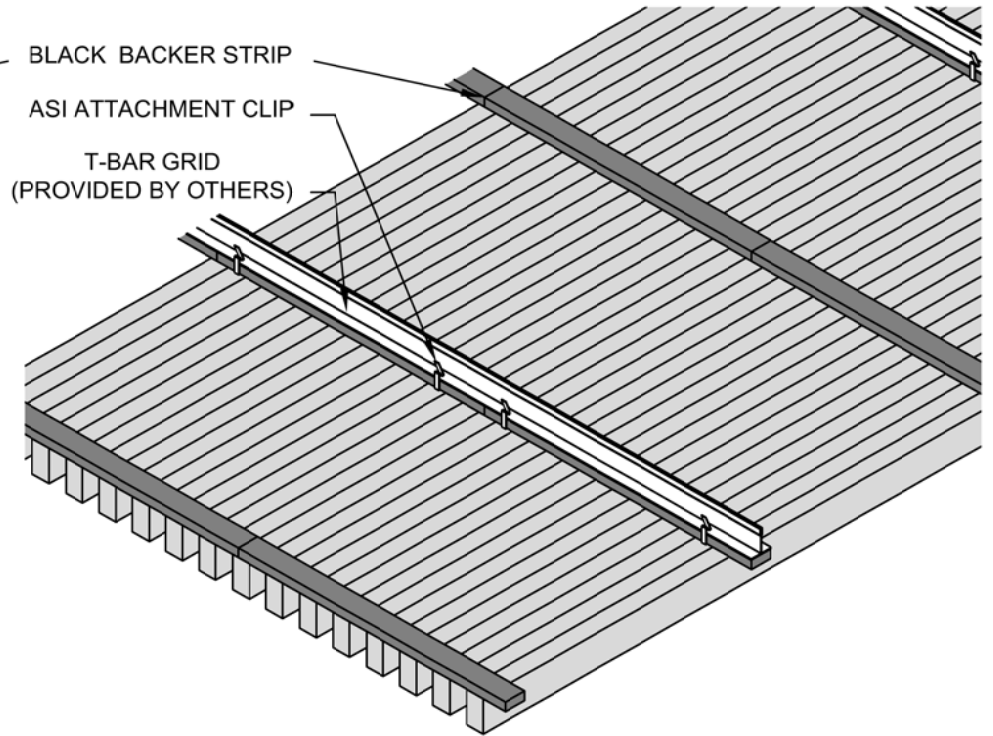
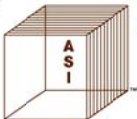


1 PLAN VIEW (TYP.)
SCALE: NTS



2 ISOMETRIC VIEW (TYP.)
SCALE: NTS



Architectural Surfaces, Inc.
DISTINCTIVE WOOD & SPECIALTY ACOUSTICAL CEILING & WALL SYSTEMS

123 Columbia Court North, Suite 201
Chaska, MN 55318

P. (952) 448.5300 F. (952) 448.2613 T. 1(800) 710.8791

www.architecturalsurfaces.net
info@architecturalsurfaces.net

Ceilings you can look up to!

DRAWING NUMBER:

4 of 8

MATERIAL:

SPECIFIED UPON REQUEST

SCALE:

NTS

DRAWN BY:

BLW

PRODUCT NAME:

WOODGRILLE I - RAILS ON EDGE

SHEET DETAILS:

CONSTRUCTION DETAILS