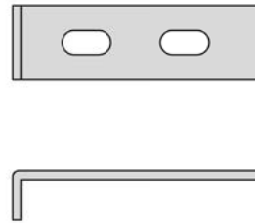
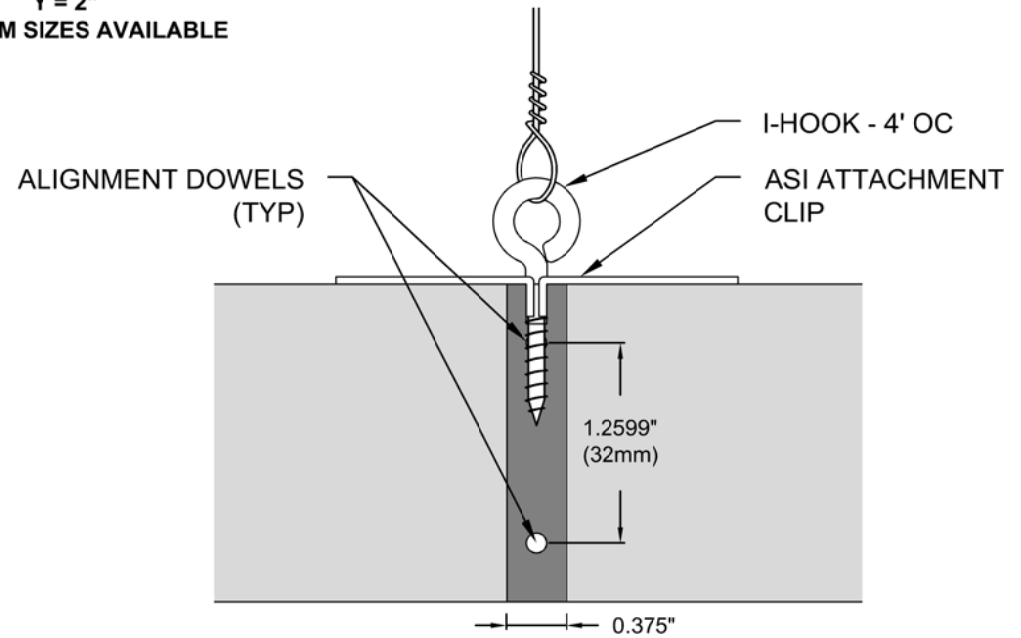


1 SECTION DETAIL
SCALE: NTS

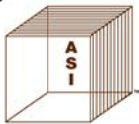
X-DIMENSION OPTIONS: 3", 4" + 6" STANDARD
 $X = \underline{\quad}$ "
 Y-DIMENSION OPTIONS: 2" STANDARD
 $Y = 2"$
 * CUSTOM SIZES AVAILABLE



2 ASI ATTACHMENT CLIP
SCALE: NTS



3 ATTACHMENT DETAIL
SCALE: NTS



Architectural Surfaces, Inc.
 DISTINCTIVE WOOD & SPECIALTY ACOUSTICAL CEILING & WALL SYSTEMS

123 Columbia Court North, Suite 201
 Chaska, MN 55318

P. (952) 448.5300 F. (952) 448.2613 T. 1(800) 710.8791

www.architecturalsurfaces.net
 info@architecturalsurfaces.net

Ceilings you can look up to!

DRAWING NUMBER:

1 of 5

MATERIAL:

SPECIFIED UPON REQUEST

SCALE:

NTS

DRAWN BY:

BLW

PRODUCT NAME:

WOODCUBE II - MONOLITHIC

SHEET DETAILS:

SECTION DETAILS + ATTACHMENT