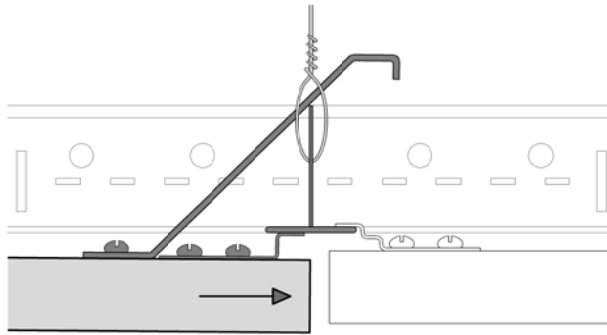
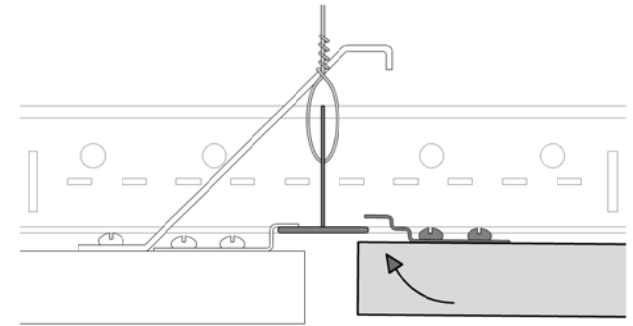


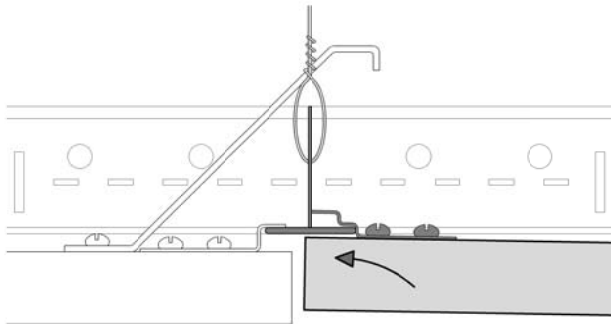
1 INSTALLATION STEP #1 - TILT SAFETY CLIP OVER T-GRID
SCALE: NTS



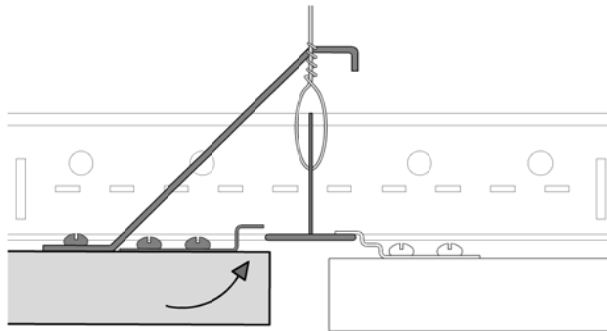
2 INSTALLATION STEP #2 - SNUG SAFETY CLIP AGAINST T-GRID
SCALE: NTS



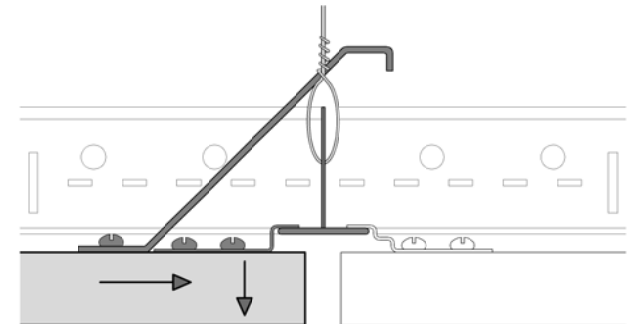
3 INSTALLATION STEP #3 - TILT (2) TWO-STEP CLIP OVER T-GRID
SCALE: NTS



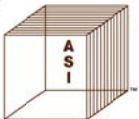
4 INSTALLATION STEP #4 - SNUG T-GRID INTO SECOND STEP
SCALE: NTS



5 INSTALLATION STEP #5 - TILT (1) ONE-STEP CLIP OVER T-GRID
SCALE: NTS



6 INSTALLATION STEP #6 - SHIFT PANEL AND DROP INTO PLACE
SCALE: NTS



Architectural Surfaces, Inc.
DISTINCTIVE WOOD & SPECIALTY ACOUSTICAL CEILING & WALL SYSTEMS

123 Columbia Court North, Suite 201
Chaska, MN 55318

P. (952) 448.5300 F. (952) 448.2613 T. 1(800) 710.8791

www.architecturalsurfaces.net
info@architecturalsurfaces.net

Ceilings you can look up to!

DRAWING NUMBER:

4 of 7

SCALE:

NTS

PRODUCT NAME:

SELECTWOOD PERFORATED PANEL

MATERIAL:

SPECIFIED UPON REQUEST

DRAWN BY:

BLW

SHEET DETAILS:

3/8" REVEAL - INSTALLATION DETAILS