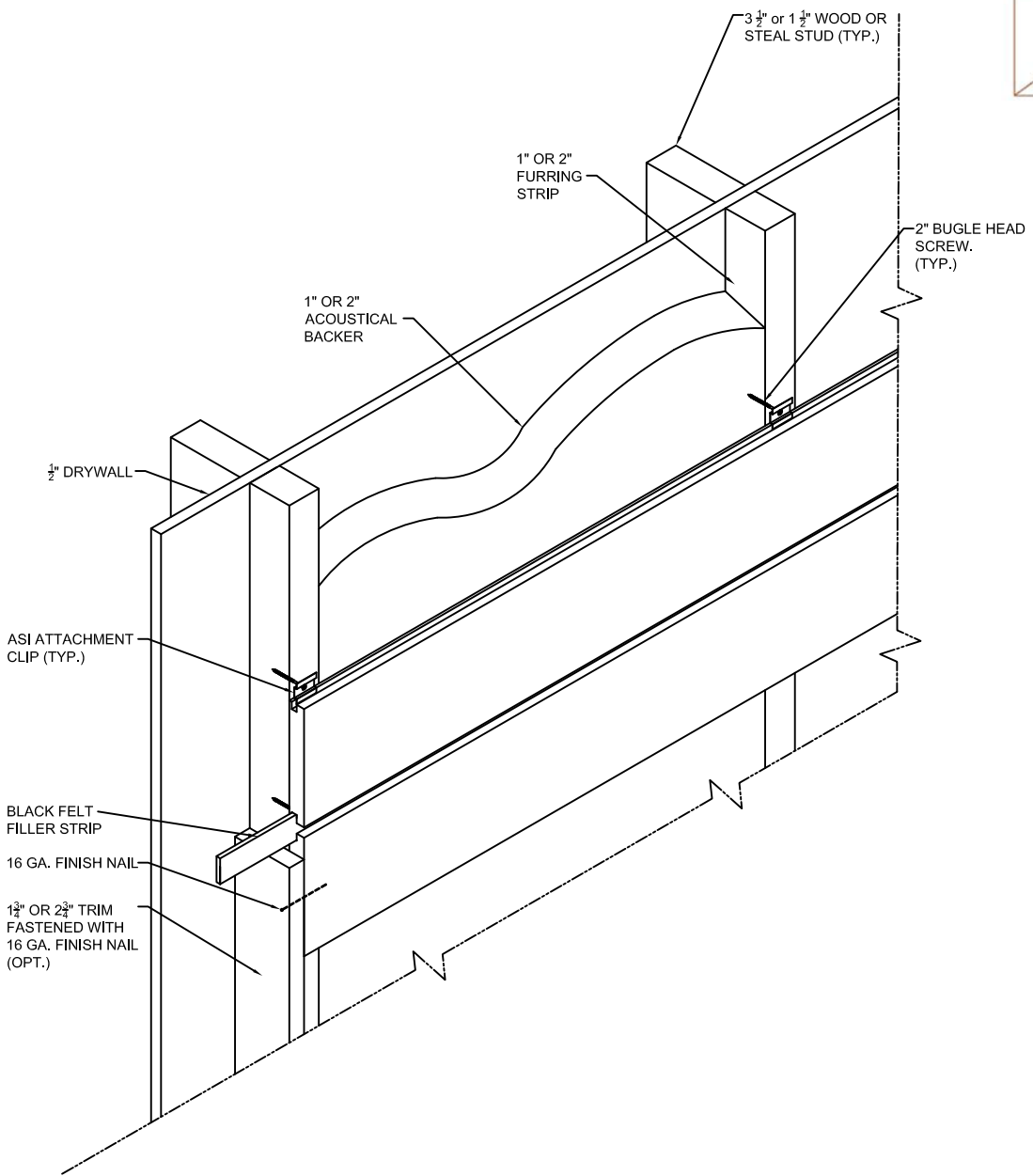


Architectural Surfaces, Inc.

DISTINCTIVE WOOD & SPECIALTY ACOUSTICAL CEILING & WALL SYSTEMS

123 Columbia Court North • Suite 201 • Chaska, MN 55318
 952-448-5300 • Fax: 952-448-2613 • Toll Free: 1-800-710-8791
 e-mail: info@architecturalsurfaces.net
 Visit Our Web Site at www.architecturalsurfaces.net

CEILINGS YOU CAN LOOK UP TO!



ARCHITECTURAL SURFACES		
TITLE:		
LINWOOD III DIRECT ATTACHMENT		
SCALE	DRAWN BY:	DATE:
NTS	BLW	1/23/2012
MATERIAL:		DWG. NO.
		LWII