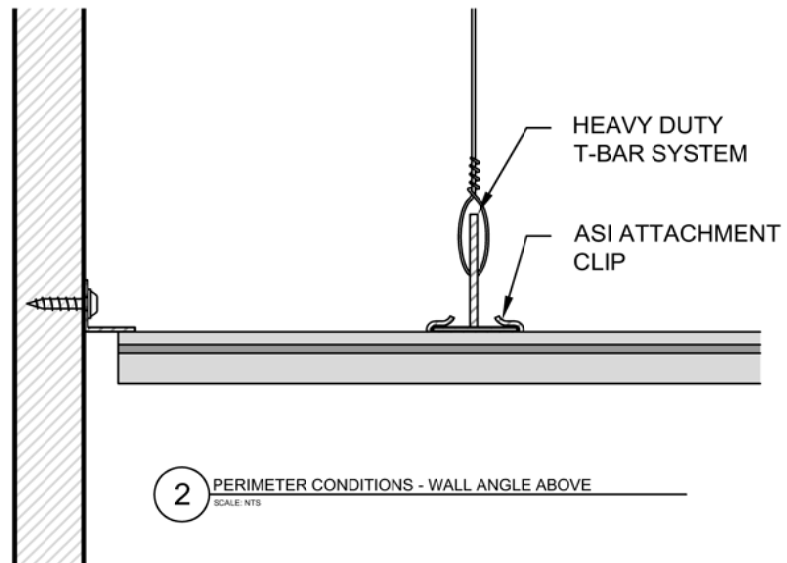
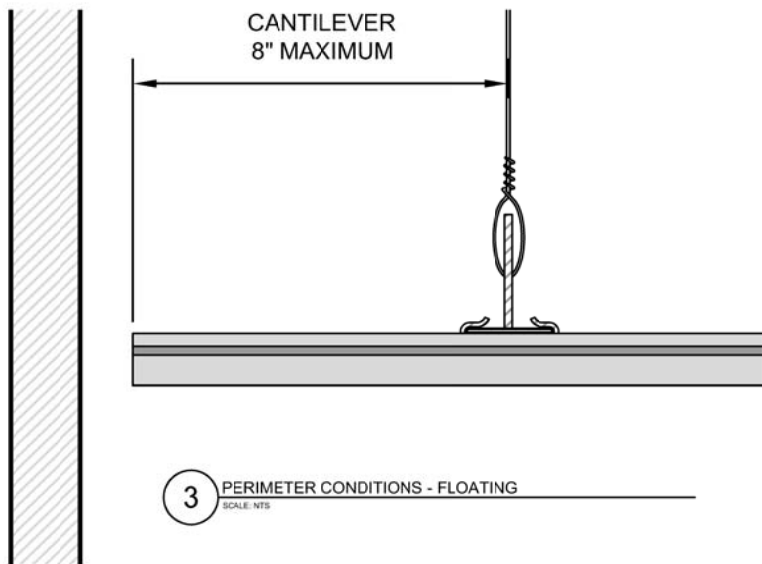


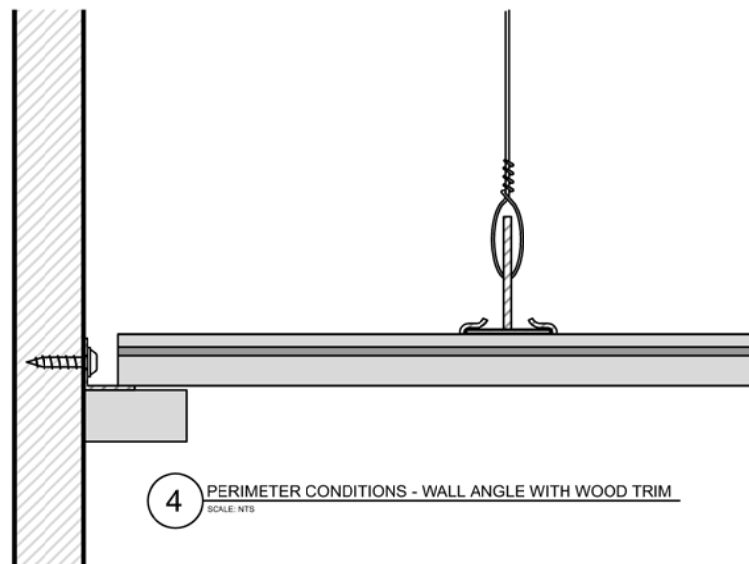
1 PERIMETER CONDITIONS - FLOATING WITH VERTICAL RETURN  
SCALE: NTS



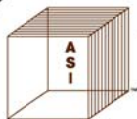
2 PERIMETER CONDITIONS - WALL ANGLE ABOVE  
SCALE: NTS



3 PERIMETER CONDITIONS - FLOATING  
SCALE: NTS



4 PERIMETER CONDITIONS - WALL ANGLE WITH WOOD TRIM  
SCALE: NTS



**Architectural Surfaces, Inc.**  
DISTINCTIVE WOOD & SPECIALTY ACOUSTICAL CEILING & WALL SYSTEMS

123 Columbia Court North, Suite 201  
Chaska, MN 55318

P. (952) 448-5300 F. (952) 448-2613 T. (800) 710-8791

www.architecturalsurfaces.net  
info@architecturalsurfaces.net

*Ceilings you can look up to!*

DRAWING NUMBER:

3 of 7

MATERIAL:

SPECIFIED UPON REQUEST

SCALE:

NTS

DRAWN BY:

BLW

PRODUCT NAME:

LINWOOD II

SHEET DETAILS:

PERIMETER CONDITIONS