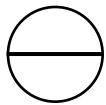
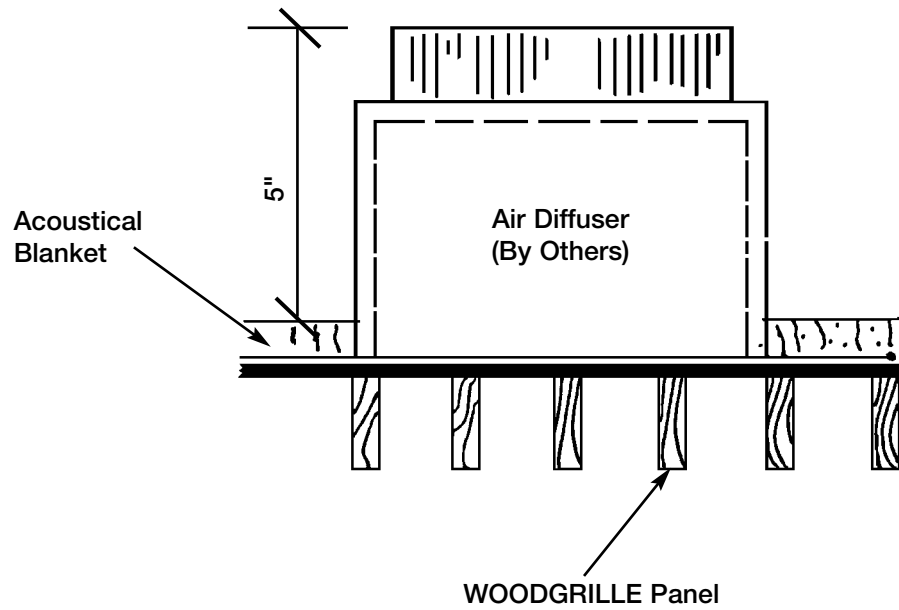


1 1/2" = 1'-0"

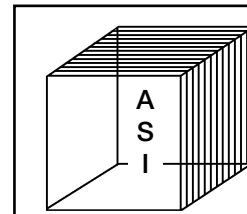


Architectural Surfaces Inc.  
123 Columbia Court North  
Suite 201  
Chaska, MN 55318  
PH# 952-448-5300  
FAX# 952-448-2613

The logo for Architectural Surfaces Inc. is a 3D rectangular prism with the letters 'A', 'S', and 'I' stacked vertically on its front face.

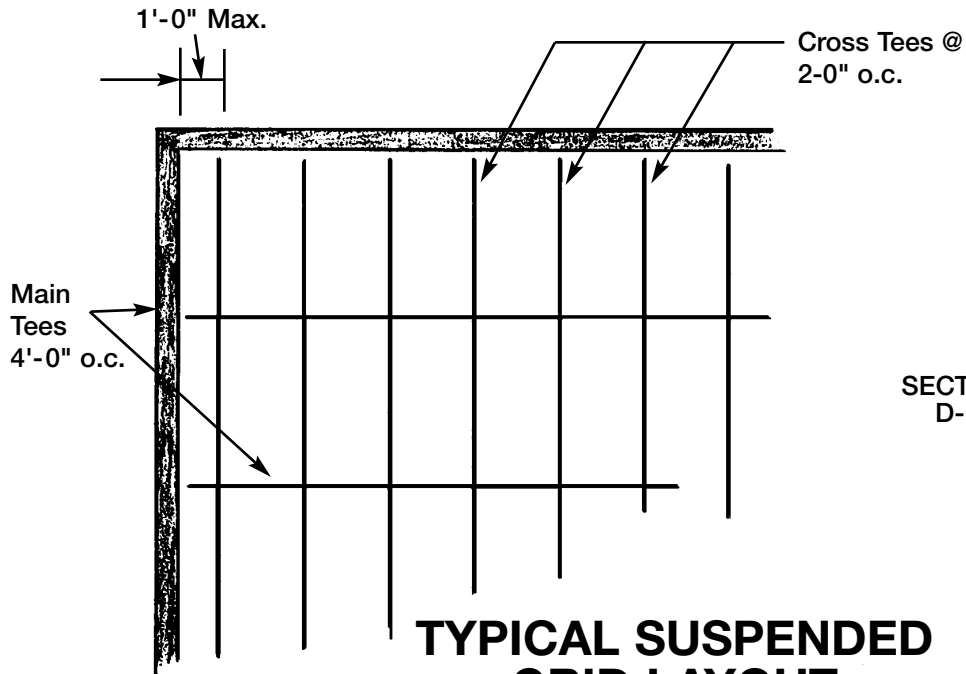


**AIR DIFFUSER DETAIL NO SCALE**

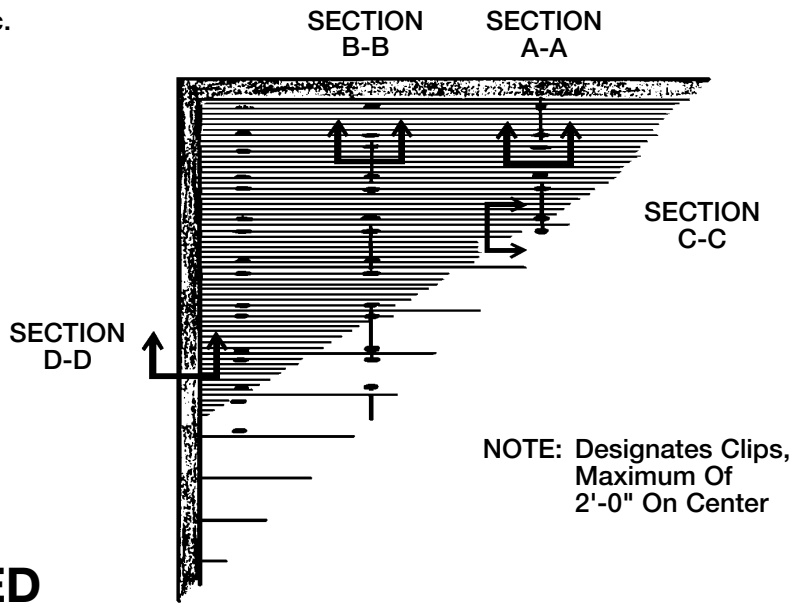


Architectural Surfaces Inc.  
123 Columbia Court North  
Suite 201  
Chaska, MN 55318  
PH# 952-448-5300  
FAX# 952-448-2613

# WOODGRILLE™ SPRING CLIP CEILING DETAILS



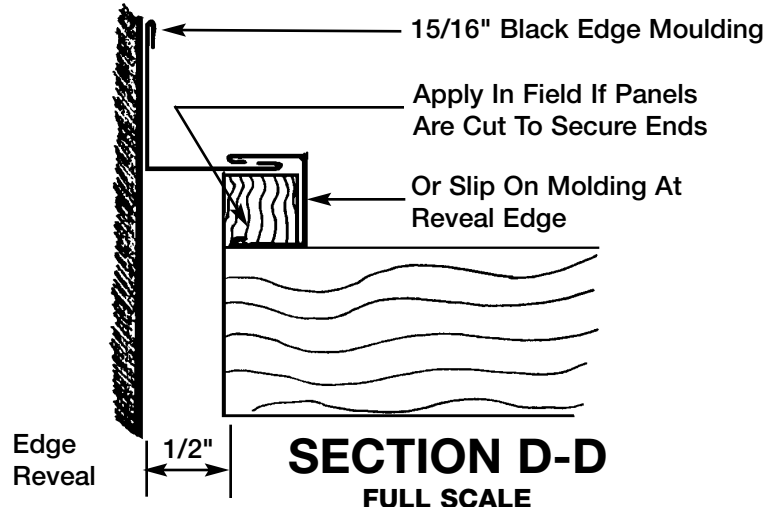
**TYPICAL SUSPENDED GRID LAYOUT**  
SCALE: 1/4" = 1'-0"



**TYPICAL WOODGRILLE PANEL LAYOUT**  
SCALE: 1/4" = 1'-0"

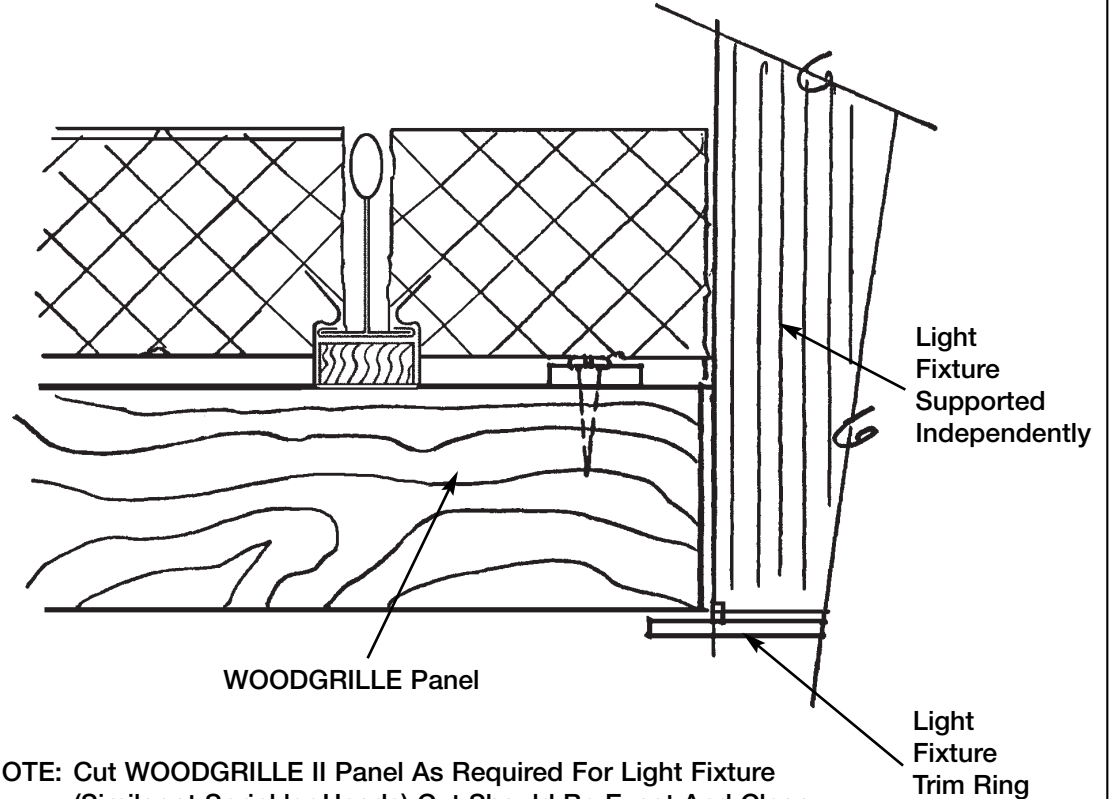
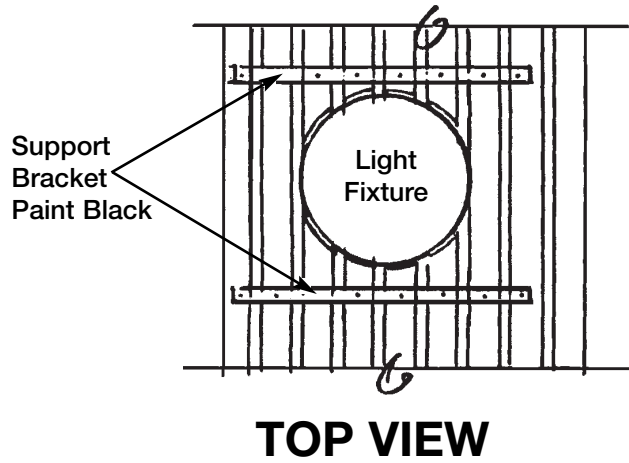
NOTE: Each Panel Has Complete Downward Accessibility With The Spring Clip System

CUSTOM PROFILES AVAILABLE ON REQUEST & FACTORY APPROVAL

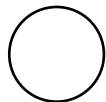




Architectural Surfaces Inc.  
123 Columbia Court North  
Suite 201  
Chaska, MN 55318  
PH# 952-448-5300  
FAX# 952-448-2613

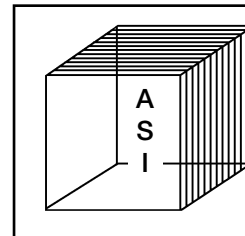


NOTE: Cut WOODGRILLE II Panel As Required For Light Fixture (Similar at Sprinkler Heads) Cut Should Be Exact And Clean. Field Verify Before Cutting. Add Support Bracket As Indicated Paint Bracket Black.



**DETAIL @ LIGHT FIXTURES (Similar @ Sprinkler Heads)**

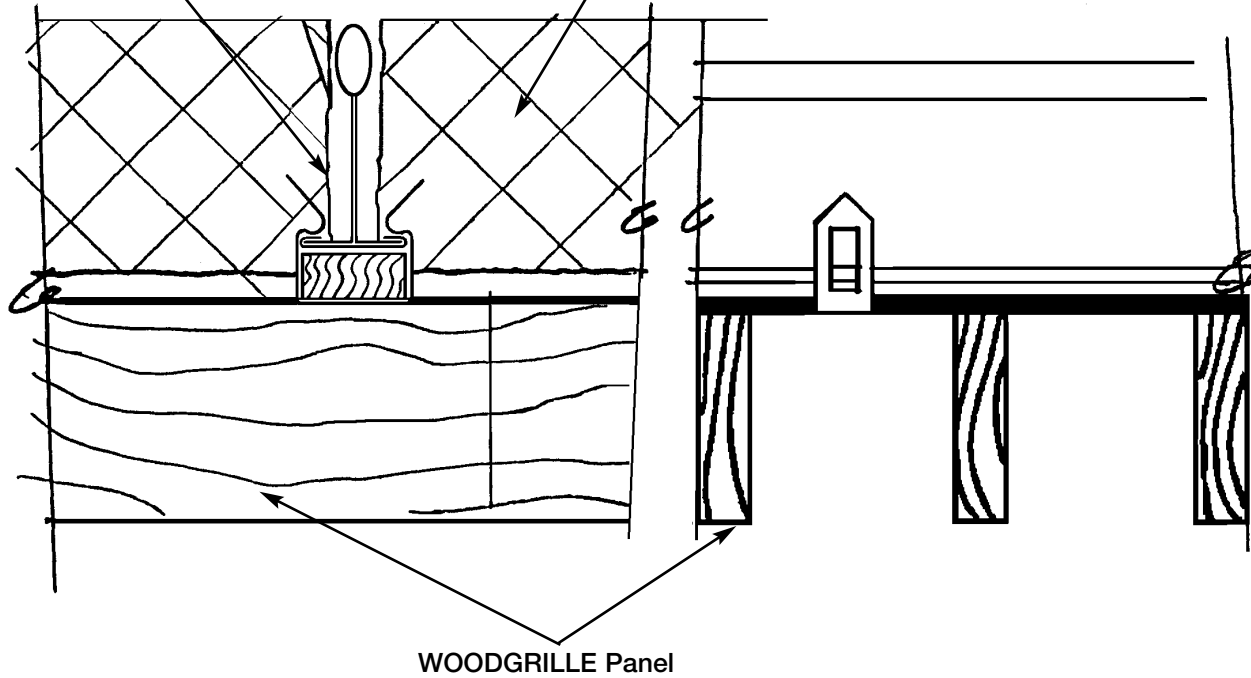
**NO SCALE**



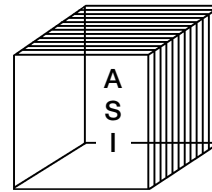
Architectural Surfaces Inc.  
 123 Columbia Court North  
 Suite 201  
 Chaska, MN 55318  
 PH# 952-448-5300  
 FAX# 952-448-2613

T. Bar Grip System  
Chicago Metallic  
Series 200 Black Face  
or Equal

2" Black Faced Fiberglass  
Acoustical Blanket



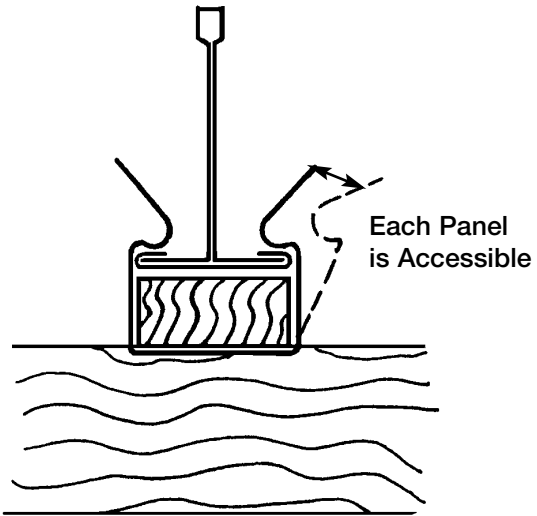
○ **CEILING SUSPENSION DETAIL**



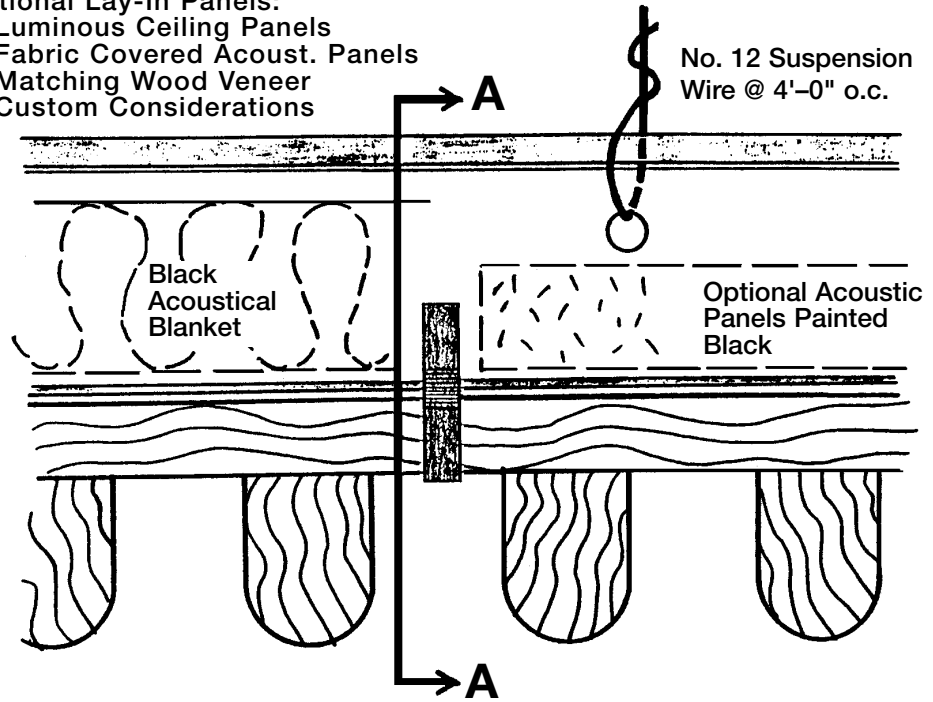
Architectural Surfaces Inc.  
123 Columbia Court North  
Suite 201  
Chaska, MN 55318  
PH# 952-448-5300  
FAX# 952-448-2613

# WOODGRILLE™ SPRING CLIP & CEILING SUSPENSION DETAILS

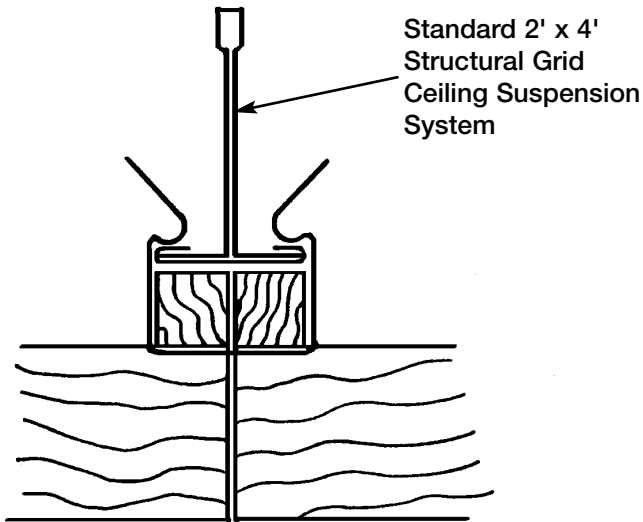
- NOTE: Optional Lay-In Panels:
1. Luminous Ceiling Panels
  2. Fabric Covered Acoust. Panels
  3. Matching Wood Veneer
  4. Custom Considerations



**SECTION A-A FULL SCALE**

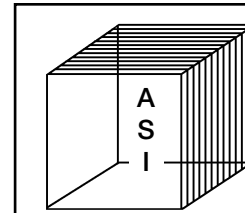


**SECTION C-C FULL SCALE**



**SECTION B-B FULL SCALE**

CUSTOM PROFILES AVAILABLE ON REQUEST  
& FACTORY APPROVAL



Architectural Surfaces Inc.  
123 Columbia Court North  
Suite 201  
Chaska, MN 55318  
PH# 952-448-5300  
FAX# 952-448-2613