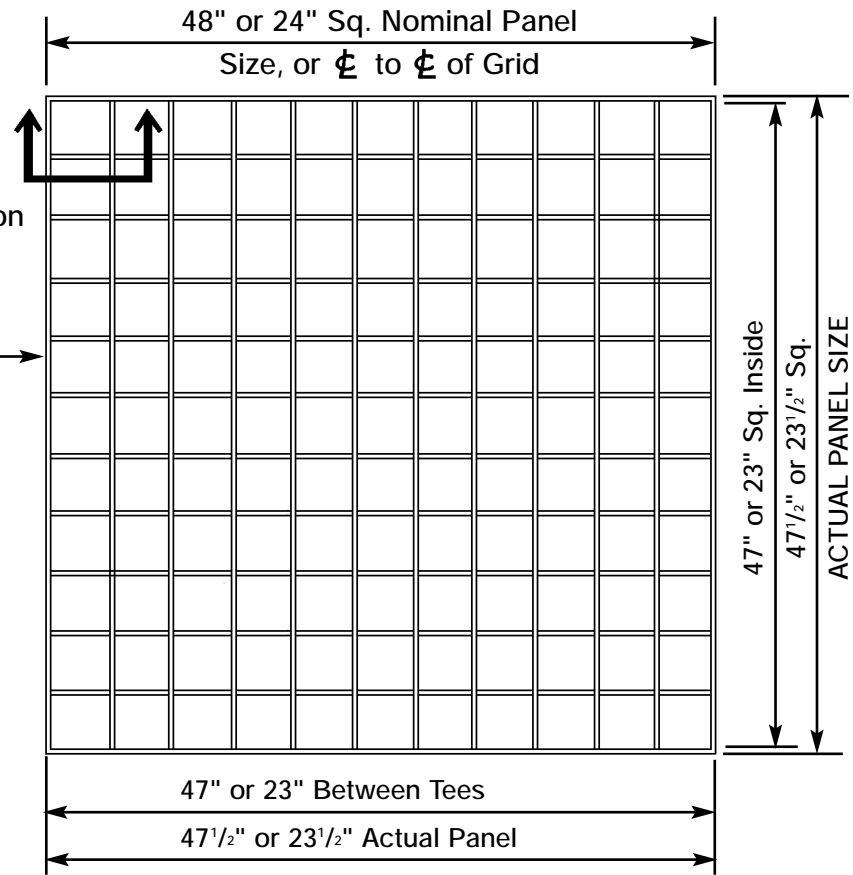
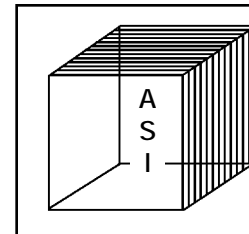


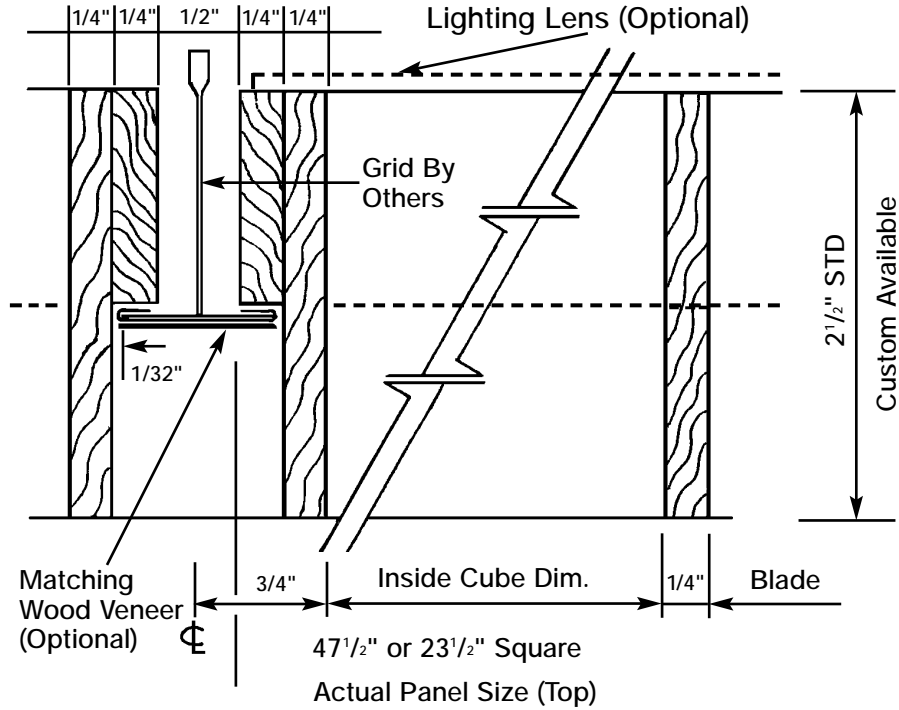
**WOODCUBE SECTION
FLUSH MOUNT**
FULL SCALE



WOODCUBE PANEL PLAN

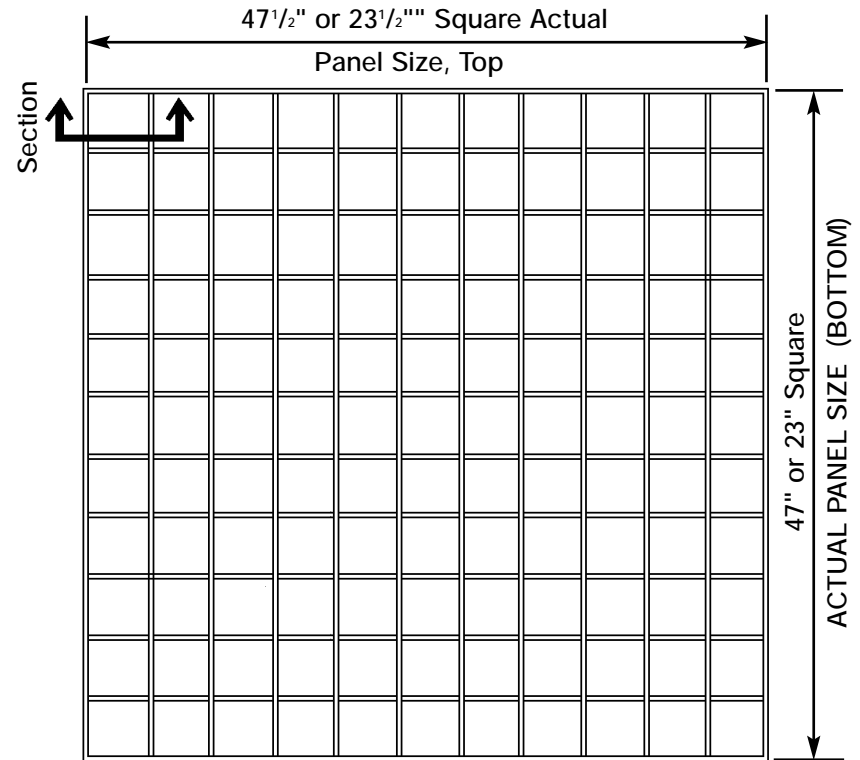


Architectural Surfaces Inc.
123 Columbia Court North
Suite 201
Chaska, MN 55318
PH# 952-448-5300
FAX# 952-448-2613

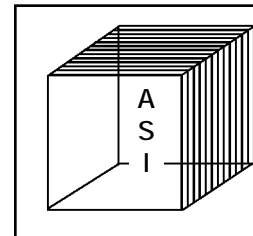


WOODCUBE SECTION REVEAL EDGE
FULL SCALE

NOTE: Also Available For Use With
9/16" Wide Regressed Tees

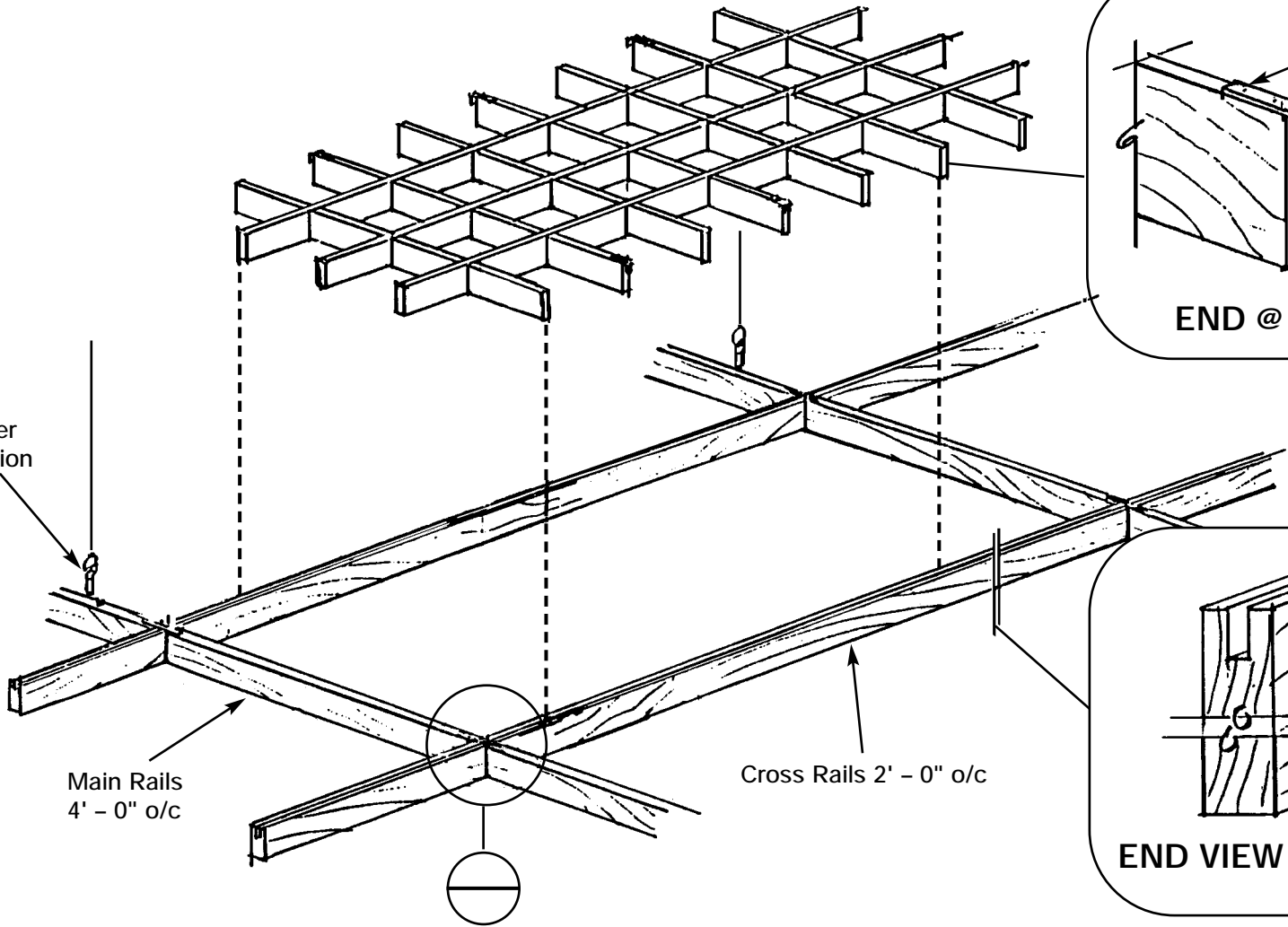


WOODCUBE PANEL PLAN
SCALE= 1"=1'-0"

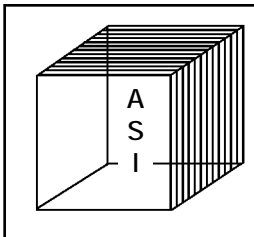
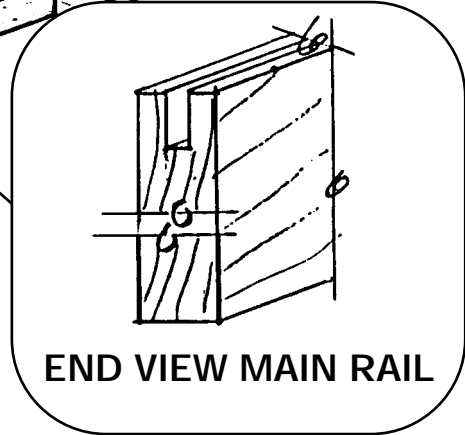
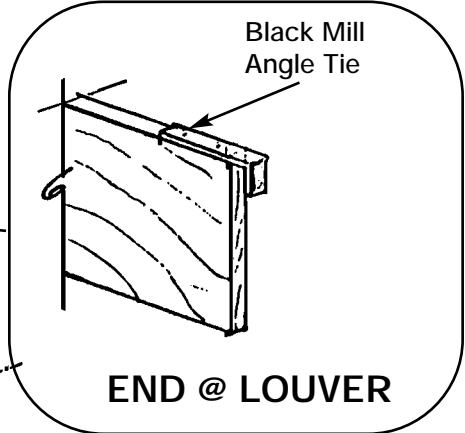


Architectural Surfaces Inc.
123 Columbia Court North
Suite 201
Chaska, MN 55318
PH# 952-448-5300
FAX# 952-448-2613

TYP.
Hanger
Location



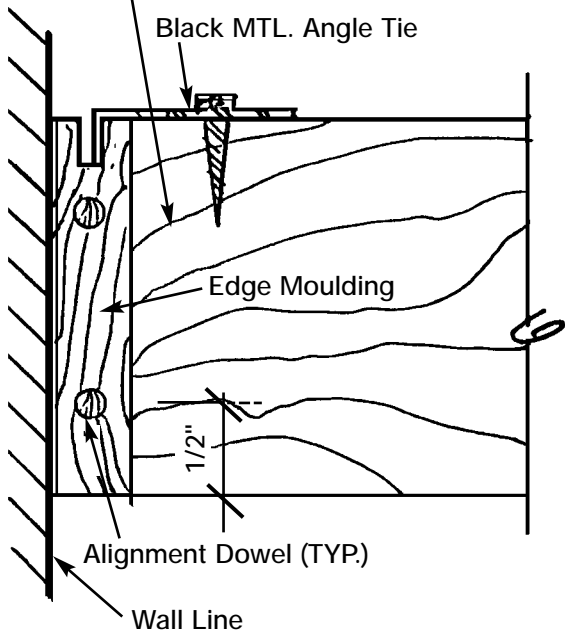
⊖ ISOMETRIC VIEW



Architectural Surfaces Inc.
 123 Columbia Court North
 Suite 201
 Chaska, MN 55318
 PH# 952-448-5300
 FAX# 952-448-2613

17-1

Cut Cross Rails and Louvers
In Field At Odd Modules and
Reattach Metal Angle Ties



⊖ DETAIL

No. 12 Wire 4'-0" o/c
(Paint Black Optional)

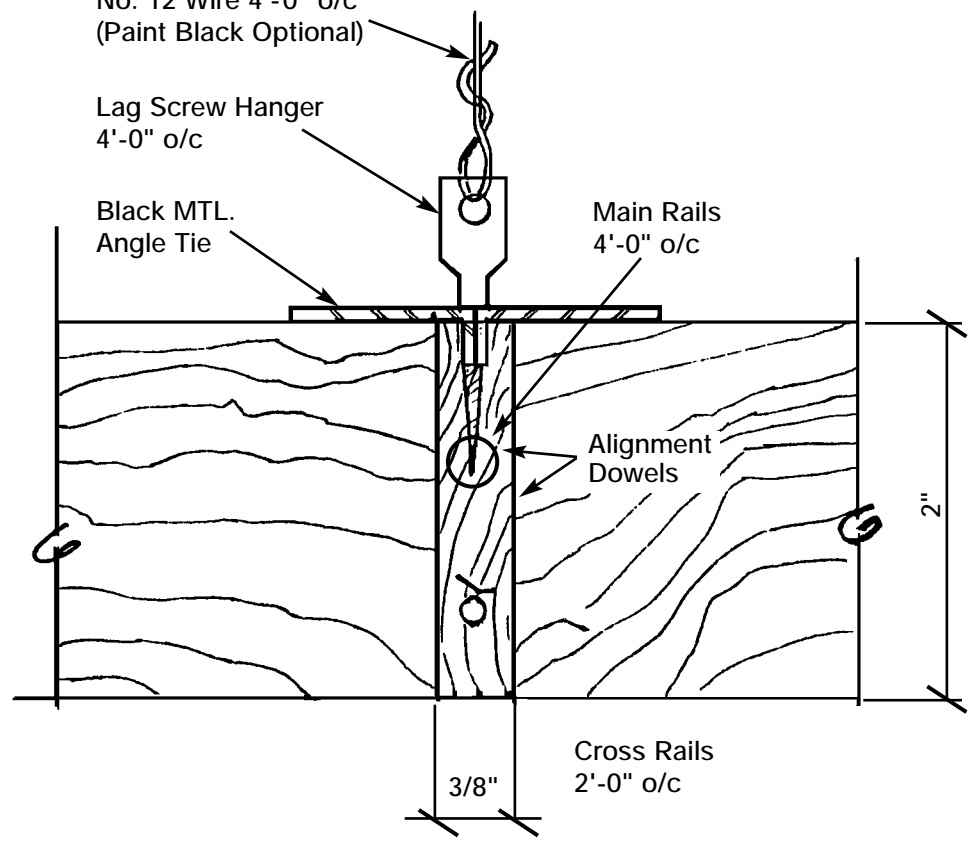
Lag Screw Hanger
4'-0" o/c

Black MTL.
Angle Tie

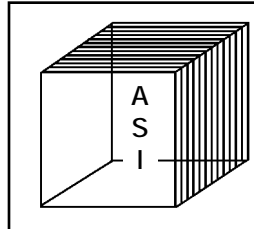
Main Rails
4'-0" o/c

Alignment
Dowels

Cross Rails
2'-0" o/c



⊖ DETAIL



Architectural Surfaces Inc.
 123 Columbia Court North
 Suite 201
 Chaska, MN 55318
 PH# 952-448-5300
 FAX# 952-448-2613