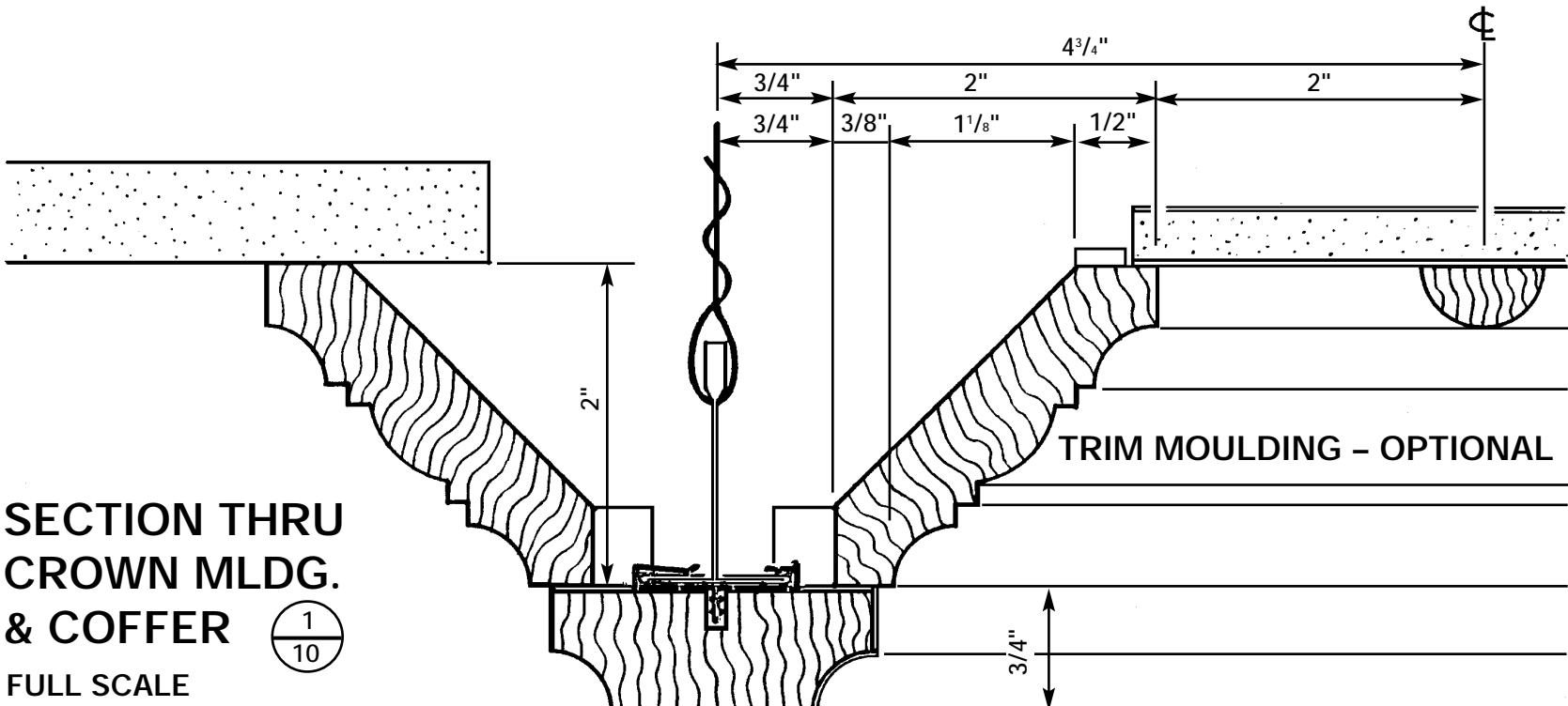


OLD WORLD™ DEEP COFFER CEILING SYSTEM

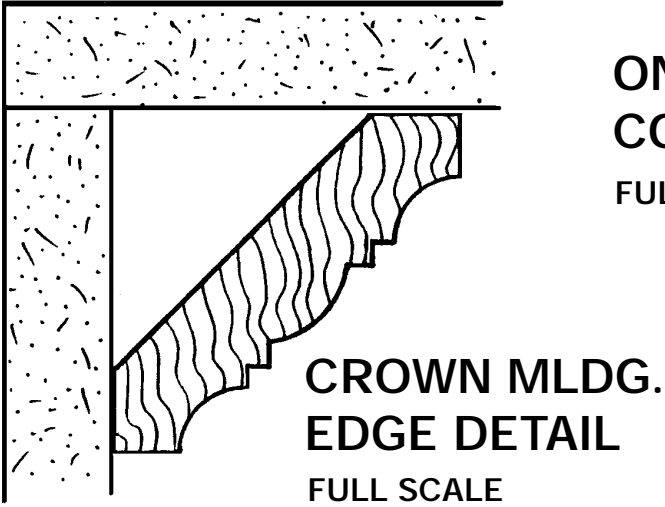


**SECTION THRU
CROWN MLDG.
& COFFER** $\frac{1}{10}$
FULL SCALE



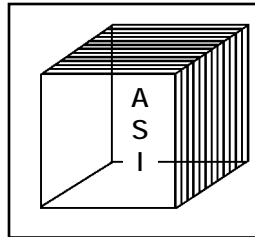
**ONE PIECE LAY-IN
COFFER DETAIL** $\frac{2}{10}$
FULL SCALE

NOTE: See Other
Detail Sheets
for Typical Notes

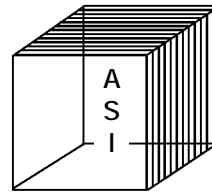
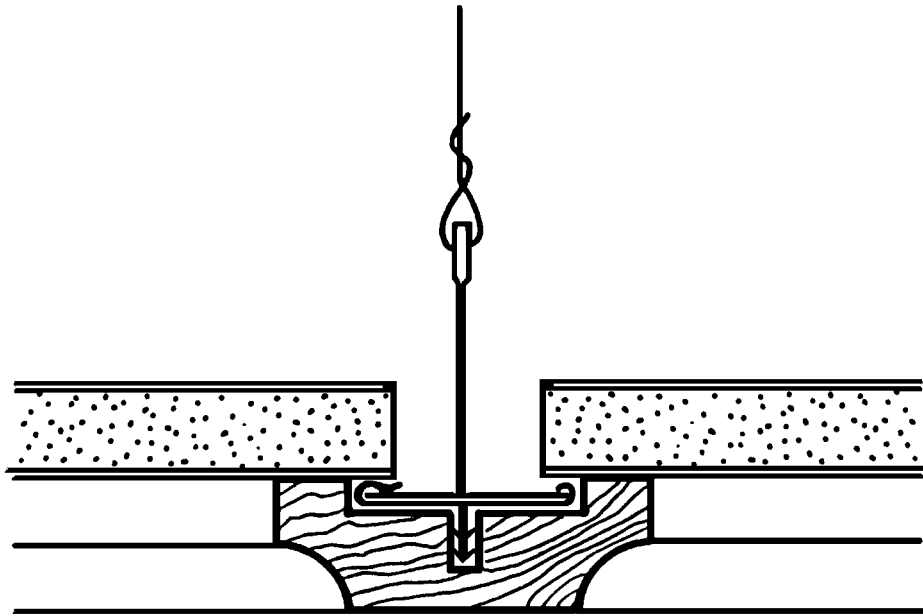


**CROWN MLDG.
EDGE DETAIL** $\frac{3}{10}$
FULL SCALE

AVAILABLE IN MOST SPECIES OR CUSTOM SIZES
ON FACTORY APPROVAL



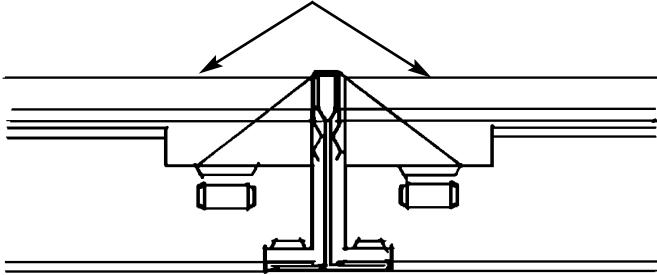
Architectural Surfaces Inc.
123 Columbia Court North
Chaska, MN 55318
PH# 952-448-5300
FAX# 952-448-2613



Architectural Surfaces Inc.
123 Columbia Court North
Suite 201
Chaska, MN 55318
PH# 952-448-5300
FAX# 952-448-2613

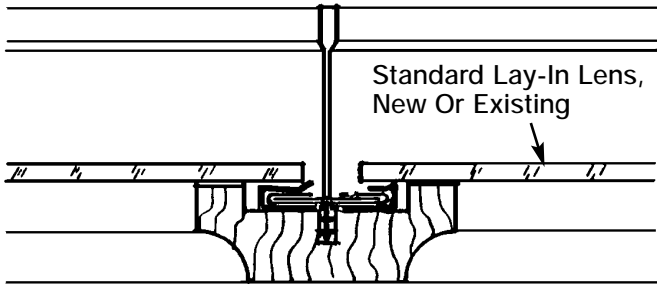
OLD WORLD™ CEILING DETAILS

Variable Placement Tee Snaps
Into Existing Grid System



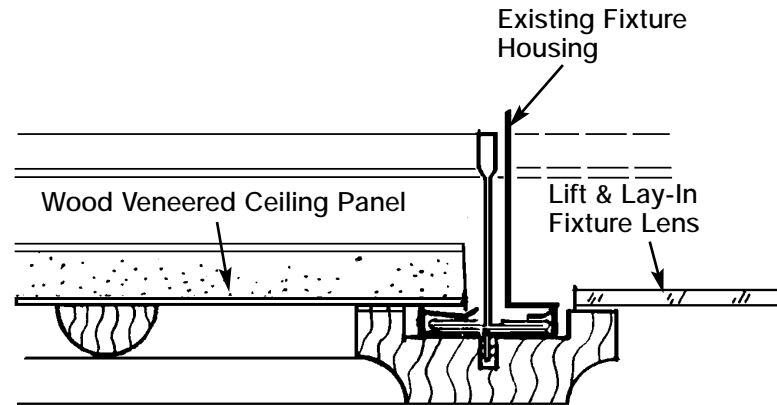
**SECTION THRU VARIABLE
PLACEMENT CROSS TEE**

SCALE 3/4 FULL



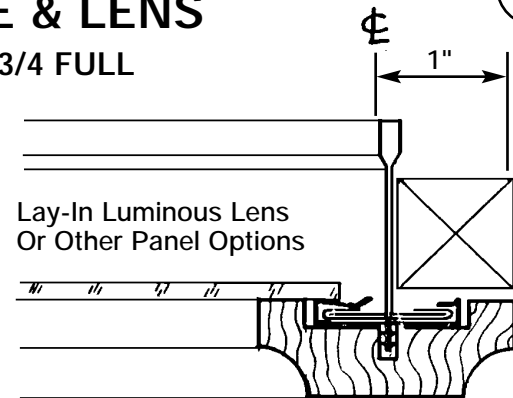
**SECTION THRU LUMINOUS
CEILING GRID SYSTEM**

SCALE 3/4 FULL



**SECTION THRU RENOVATED
FIXTURE & LENS**

SCALE 3/4 FULL



Lay-In Luminous Lens
Or Other Panel Options

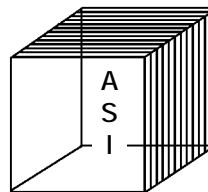
NOTE:
Also See
Detail
4/9

OPTIONAL WALL MLDG.



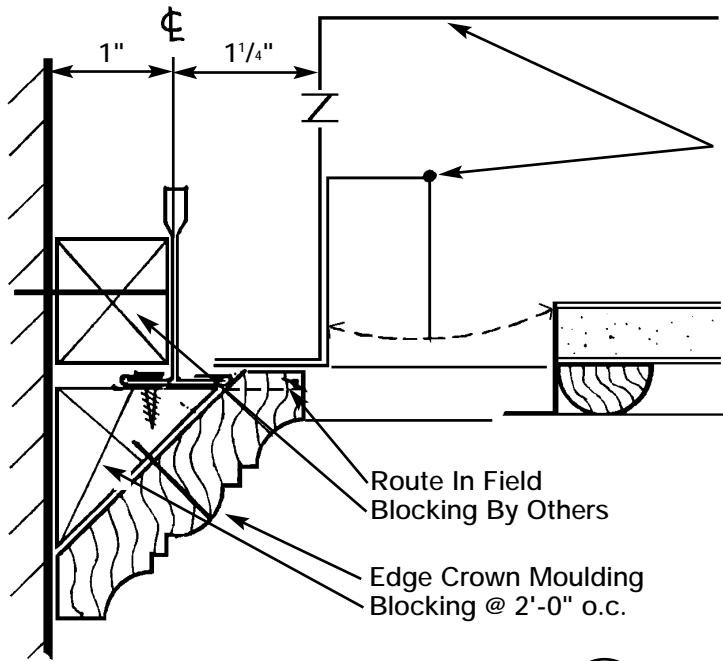
SCALE 3/4 FULL

AVAILABLE IN MOST SPECIES OR CUSTOM SIZES
ON FACTORY APPROVAL

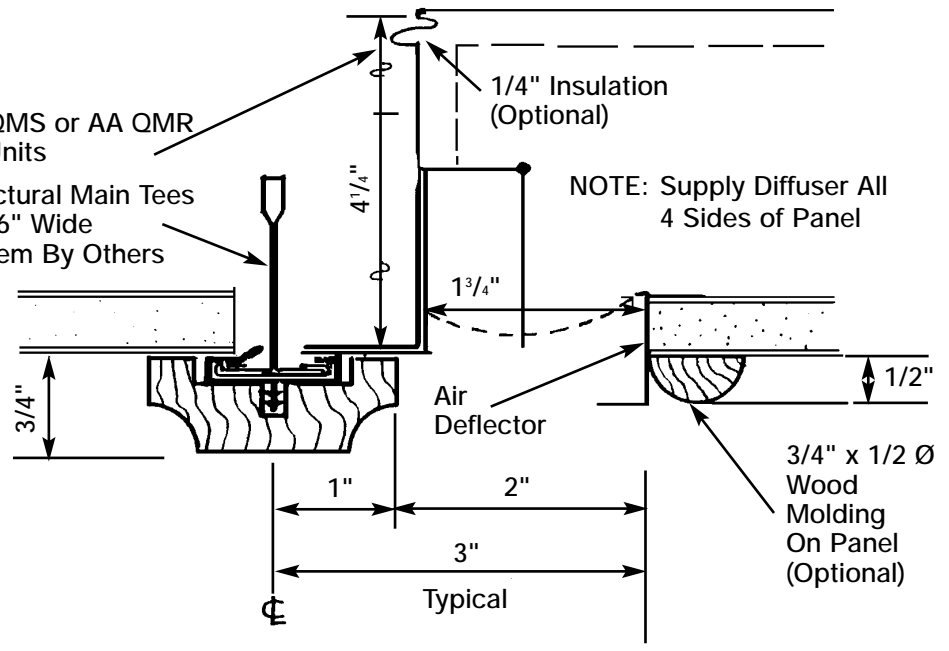


Architectural Surfaces Inc.
123 Columbia Court North
Suite 201
Chaska, MN 55318
PH# 952-448-5300
FAX# 952-448-2613

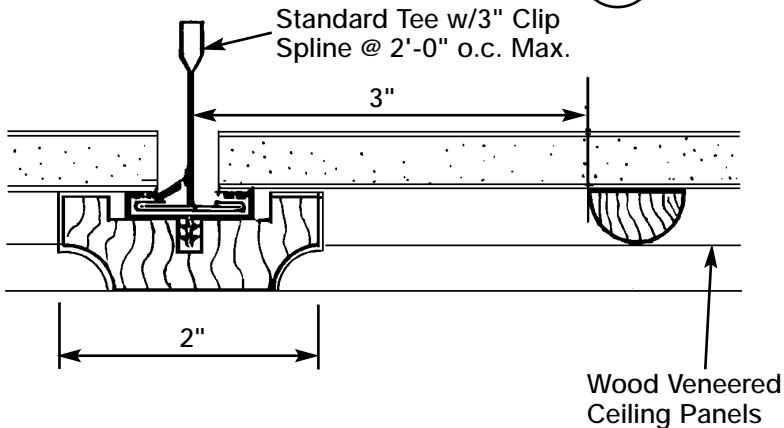
OLD WORLD™ CEILING DETAILS



AIR RETURN • DETAIL (1/5) SCALE 3/4 FULL



AIR SUPPLY DETAIL (3/5) SCALE 3/4 FULL

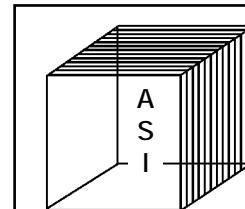


TYPICAL PANEL DETAIL (2/5) SCALE 3/4 FULL

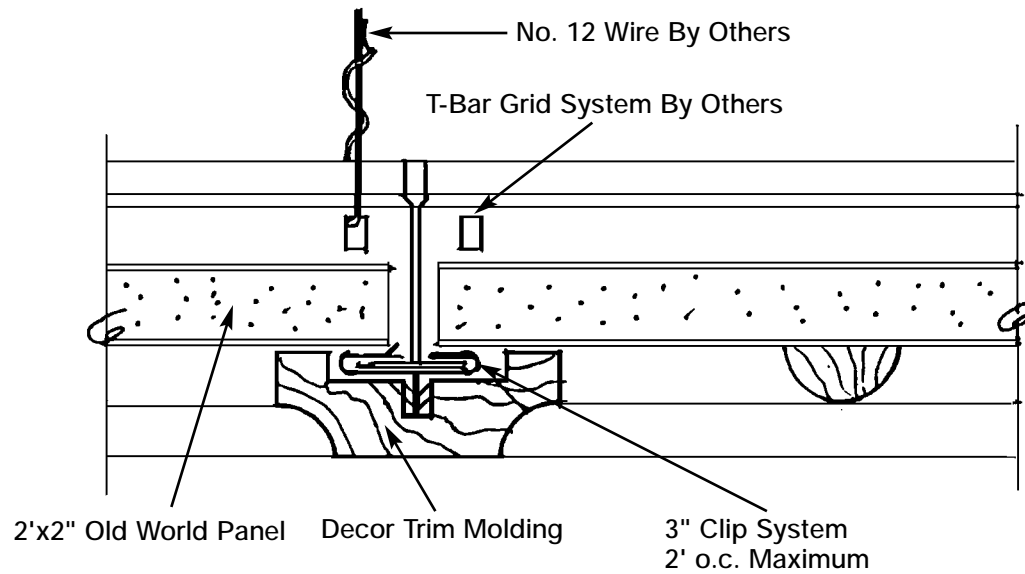
*See Additional Notes On (1/5)

NOTE: All Notes & Dimensions Shown Are Typical For The "Old World System"

AVAILABLE IN MOST SPECIES OR CUSTOM SIZES ON FACTORY APPROVAL



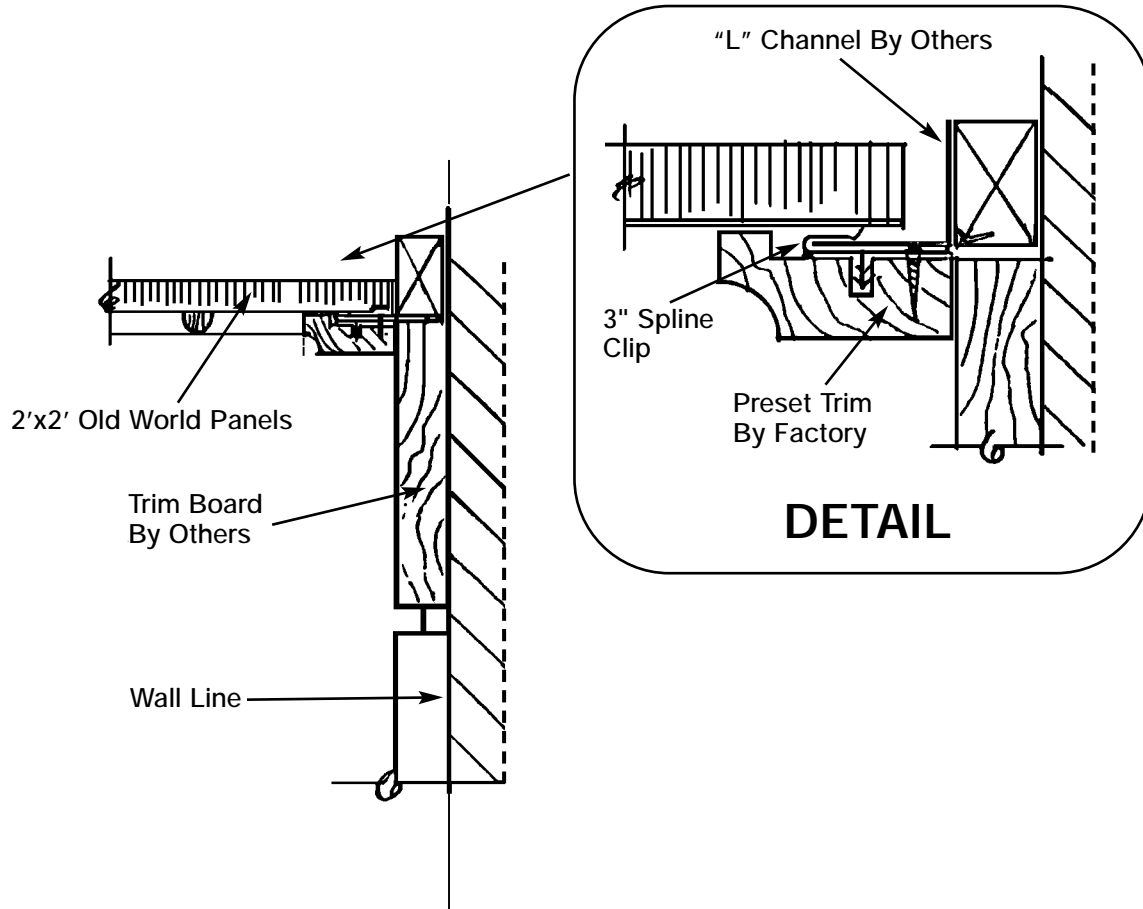
Architectural Surfaces Inc.
 123 Columbia Court North
 Suite 201
 Chaska, MN 55318
 PH# 952-448-5300
 FAX# 952-448-2613



⊖ **DETAIL @ CROSS TEE SECTION** NO SCALE

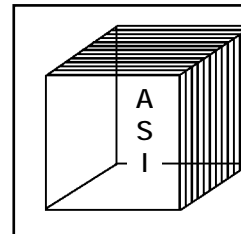


Architectural Surfaces Inc.
123 Columbia Court North
Suite 201
Chaska, MN 55318
PH# 952-448-5300
FAX# 952-448-2613



 **DETAIL @ WALL**

3" = 1'-0"



Architectural Surfaces Inc.
123 Columbia Court North
Suite 201
Chaska, MN 55318
PH# 952-448-5300
FAX# 952-448-2613