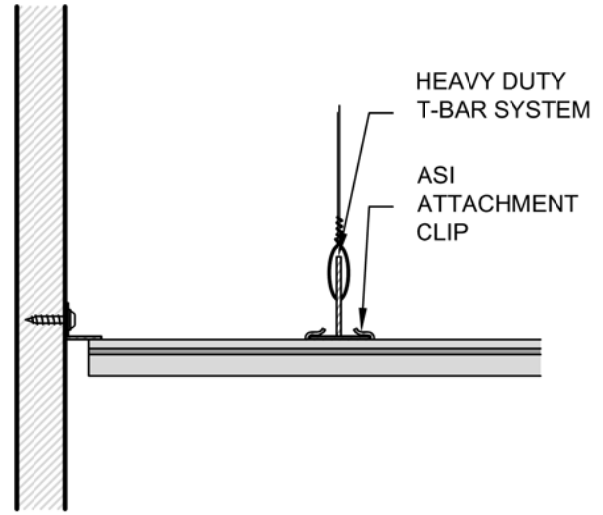
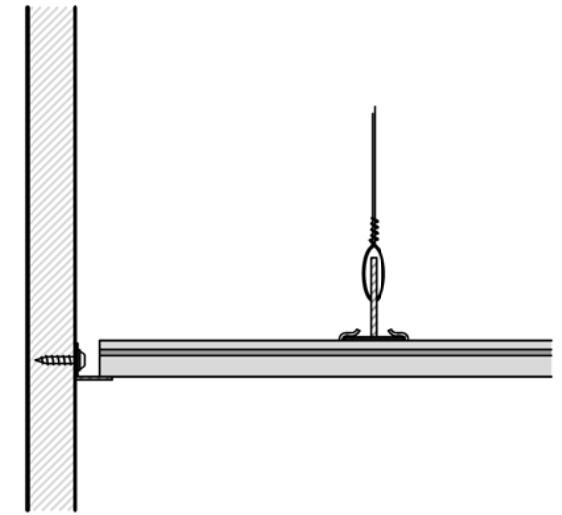


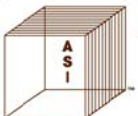
1 PERIMETER CONDITION - FLOATING CLOUD
SCALE: NTS



2 PERIMETER CONDITION - WALL ANGLE ABOVE
SCALE: NTS



3 PERIMETER CONDITION - WALL ANGLE BELOW
SCALE: NTS



Architectural Surfaces, Inc.
DISTINCTIVE WOOD & SPECIALTY ACOUSTICAL CEILING & WALL SYSTEMS

123 Columbia Court North, Suite 201
Chaska, MN 55318
P. (952) 448-5300 F. (952) 448-2613 T. 1(800) 710-8791
www.architecturalsurfaces.net
info@architecturalsurfaces.net
Ceilings you can look up to!

DRAWING NUMBER:
3 of 7

SCALE:
NTS

PRODUCT NAME:
ALUMILINE

MATERIAL:
SPECIFIED UPON REQUEST

DRAWN BY:
BLW

SHEET DETAILS:
PERIMETER CONDITIONS