

2" BUGLE HEAD SCREW
(TYP)

ASI ATTACHMENT CLIP

1" OR 2" ACOUSTICAL
BACKER

WOOD OR STEEL STUD
(TYP)

1" OR 2" FURRING STRIP

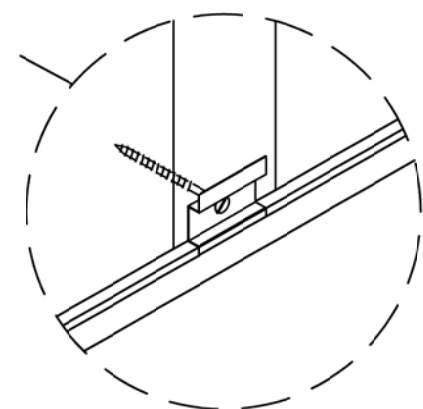
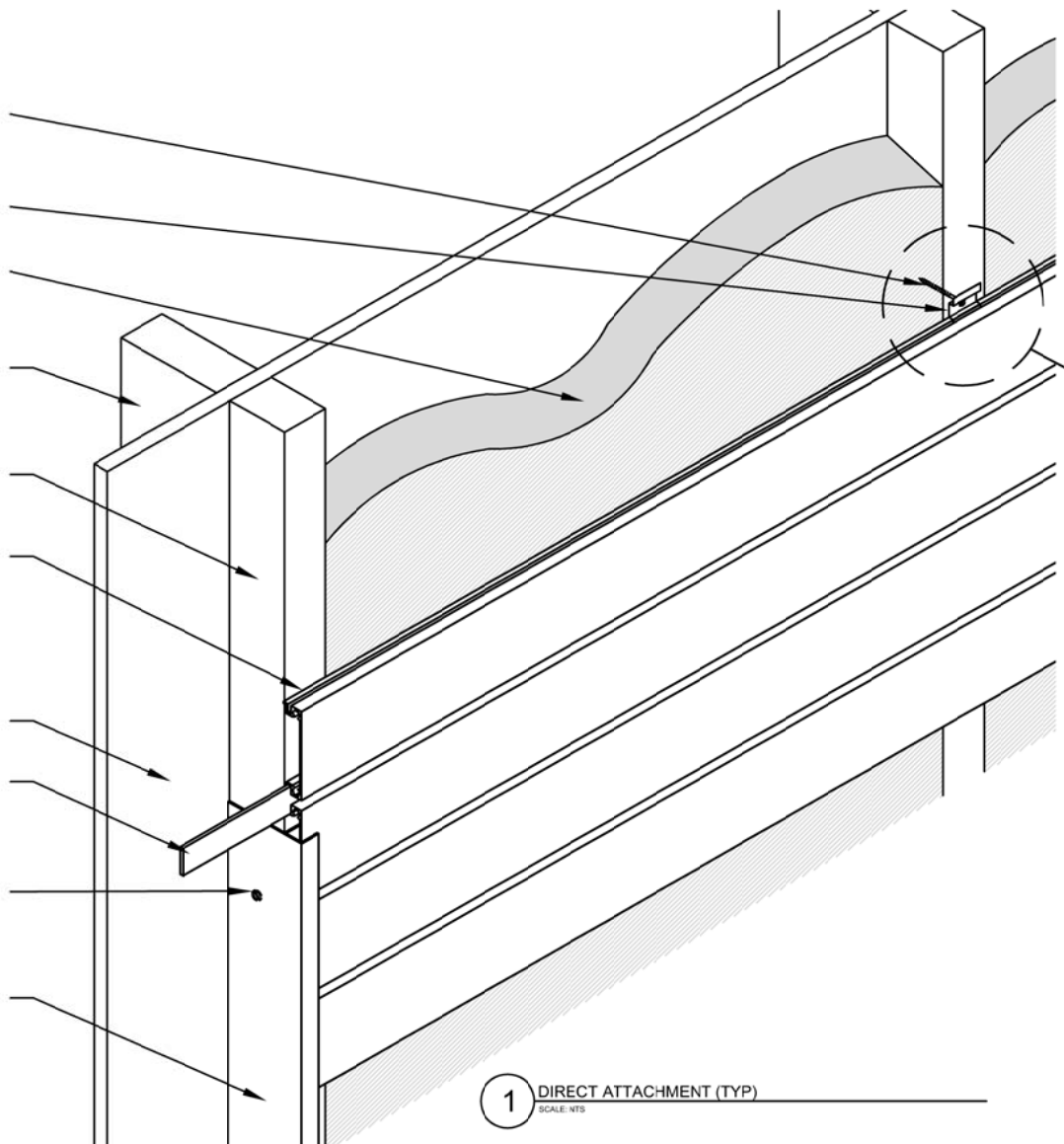
ASI ATTACHMENT CLIP
NOT NEEDED
F-CHANNEL WILL BE
USED FOR FASTENING

1/2" DRYWALL

BLACK FELT
FILLER STRIP
(OR AS SPECIFIED)

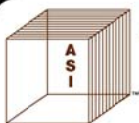
3/4" BUGLE HEAD SCREW

1 3/4" OR 2 3/4" ALUMINUM
F-CHANNEL TRIM
FASTENED TO FURRING
STRIP WITH 3/4" BUGLE
HEAD SCREW



1 DIRECT ATTACHMENT (TYP)
SCALE: NTS

2 DIRECT ATTACHMENT - ENLARGED DETAIL
SCALE: NTS



Architectural Surfaces, Inc.

DISTINCTIVE WOOD & SPECIALTY ACOUSTICAL CEILING & WALL SYSTEMS

123 Columbia Court North, Suite 201
Chaska, MN 55318

P. (952) 448.5300 F. (952) 448.2613 T. 1(800) 710.8791

www.architecturalsurfaces.net
info@architecturalsurfaces.net

Ceilings you can look up to!

DRAWING NUMBER:

2 of 7

SCALE:

NTS

PRODUCT NAME:

ALUMILINE

MATERIAL:

SPECIFIED UPON REQUEST

DRAWN BY:

BLW

SHEET DETAILS:

DIRECT ATTACHMENT DETAILS